

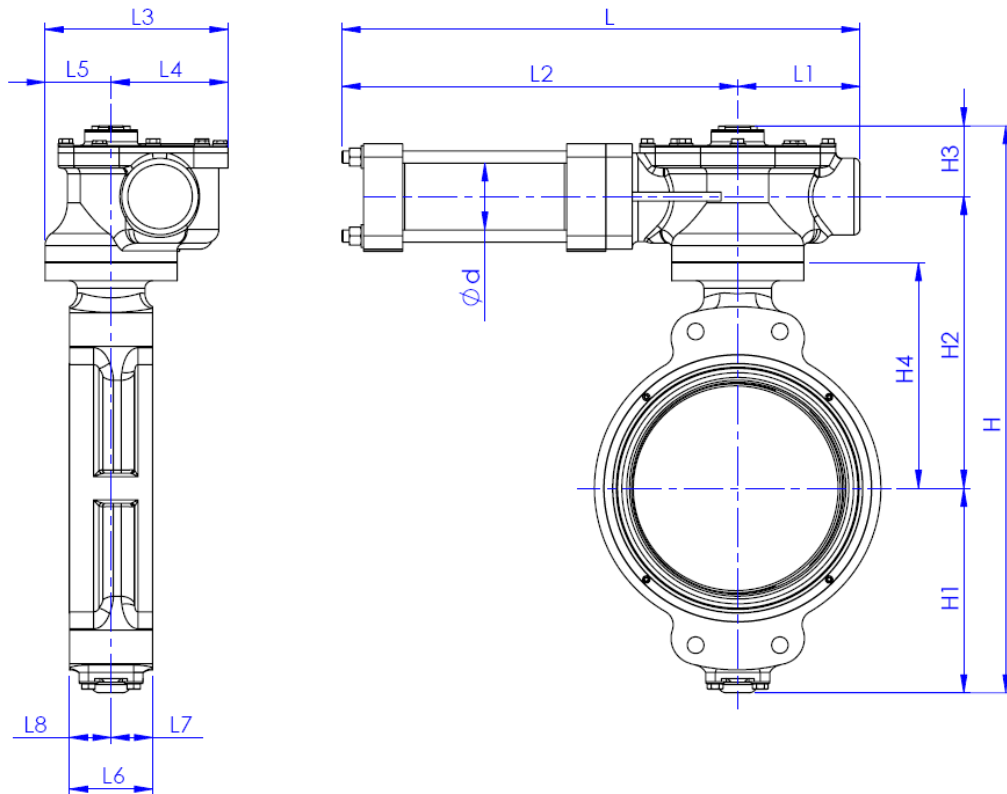


## **PCBT-3200**

HYDRAULIC BUTTERFLY VALVE

---

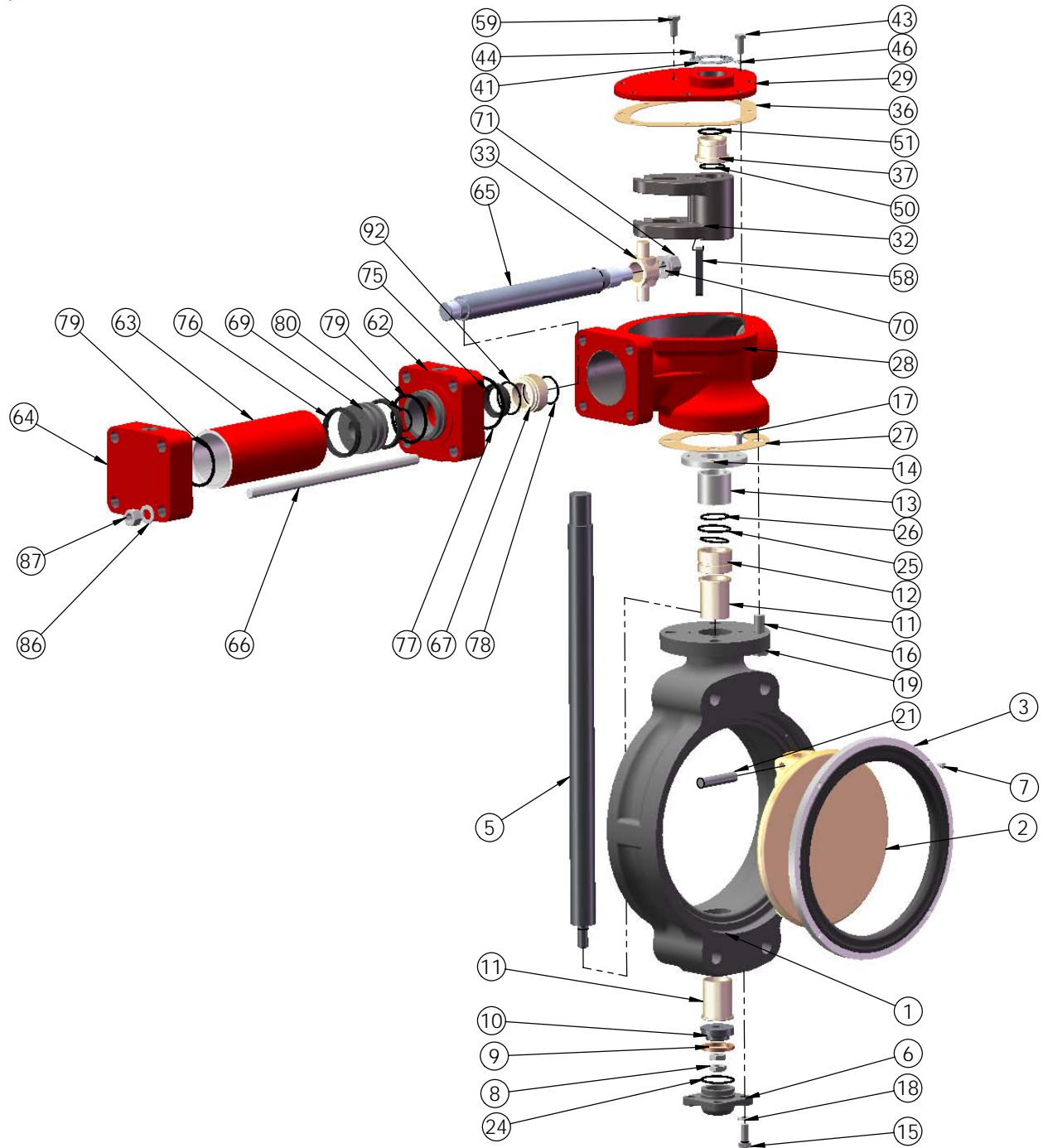
## Drawing of PCBT-3200



Size Inch.-mm.	Acc	H	H1	H2	H3	H4	L	L 1	L 2	L 3	L 4	L 5	L 6	L 7	L 8	d	WGT. Kg.
1,5" - 40	H10	265	50	160	55	105	425	85	340	145	95	50	33	16	17	30/40	18
2" - 50	H10	301	62	184	55	130	425	85	340	145	95	50	43	23	20	30/40	20
2,5" - 65	H10	295	63	177	55	123	425	85	340	145	95	50	46	23	23	30/40	21
3" - 80	H10	331	90	186	55	133	425	85	340	145	95	50	50	25	25	30/40	22
4" - 100	H10	357	105	197	55	144	425	85	340	145	95	50	50	25	25	30/40	23
5" - 125	H10	388	107	226	55	158	425	85	340	145	95	50	60	30	30	30/40	26
6" - 150	H20	523	163	272	89	194	618	138	480	198	125	73	70	34	36	40	47
8" - 200	H20	602	207	307	89	225	618	138	480	198	125	73	90	43	47	50	74
10" - 250	H20	682	247	347	89	265	618	138	480	198	125	73	110	59	51	60	88
12" - 300	H30	754	272	389	93	300	686	162	524	243	155	88	110	55	55	60	109
14" - 350	H30	833	322	419	93	330	686	162	524	243	155	88	120	60	60	80	135
16" - 400	H40	908	342	464	102	365	848	231	617	288	190	98	130	60	70	80	193
18" - 450	H40	1003	392	509	102	418	848	231	617	288	190	98	150	75	75	80	236
20" - 500	H50	1096	418	568	110	445	918	265	653	345	230	115	160	80	80	100	300
22" - 550	H50	1209	445	654	110	505	918	265	653	345	230	115	170	85	85	100	396
24" - 600	H60	1252	479	657	117	520	1120	290	830	430	295	135	200	105	95	100	484
26" - 650	H60	1341	504	720	117	585	1120	290	830	430	295	135	210	110	100	100	517
28" - 700	H70	1382	535	726	121	580	1295	358	937	500	345	155	229	119	110	125	620
30" - 750	H70	1459	538	800	121	660	1295	358	937	500	345	155	230	115	115	125	700
32" - 800	H80	1528	604	794	130	638	1465	405	1060	587	425	162	240	120	120	125	865
36" - 900	H80	1641	665	846	130	690	1465	405	1060	587	425	162	240	120	120	125	1043
40" - 1000	H80	1789	733	926	130	770	1465	405	1060	587	425	162	280	140	140	150	1390

Signes in mm. (Informative only)

Same distance between faces for wafer, semi-lug, lug and double flange type valves



Nº	NAME	Nº	NAME
1	BODY	37	TOP BUSHING
2	DISC	41	INDICATOR PLATE
3	SEAT	43	BOLT
5	SHAFT	44	BOLT
6	COVER	46	WASHER
7	SET SCREW	50	O-RING
8	NUT	51	O-RING
9	THRUST PLATE	58	KEY
10	SHAFT SPACER	59	GREASE FILLING PLUG
11	SHAFT BEARING	62	FRONT COVER
12	PACKING HOLDER	63	CYLINDER TUBE
13	DISTANCE PIPE	64	REAR COVER
14	COVER FLANGE	65	PISTON ROD
15	BOLT	66	TIE-BOLT
16	BOLT	67	PACKING HOLDER
17	BOLT	69	PISTON
18	SPRING WASHER	70	WASHER
19	SPRING WASHER	71	NUT
21	TAPER PIN	75	ROD LIP SEAL
24	O-RING	76	PISTON LIP SEAL
25	O-RING	77	O-RING
26	O-RING	78	O-RING
27	GASKET	79	O-RING
28	HOUSING	80	O-RING
29	COVER	86	SPRING WASHER
32	FORK LEVER	87	NUT
33	DRIVING NUT	92	O-RING
36	COVER GASKET		

## Specifications

Pressure Rating	ANSI / ASME Class 150 / 300 ISO PN6 / PN10 / PN16 / PN25 JIS 5K / 10K / 16K / 20K
Standard Size Range	DN40 to DN1000 (other dimensions upon request)
Standard Materials	
Body	Nodular Cast Iron GGG-40 / ASTM A536 Carbon Steel ASTM A216 WCB Stainless Steel AISI 316 / AISI 316L / AISI 420 K-Monel / Superduplex / Duplex AlBz ASTM -B148-9D
Disc	Carbon Steel ASTM A216 WCB Stainless Steel AISI 304 / AISI 316 / AISI 316L / AISI 420 AlBz ASTM B-148-9D K-Monel / Superduplex / Duplex
Shaft	Stainless Steel AISI 304 / AISI 316 / AISI 316L / AISI 420 Duplex / Superduplex / Monel K500

### **Other materials possible upon request**

Dennis Nakakita has a global network with offices in Europe, USA and Asia.



**HEAD OFFICE MADRID**



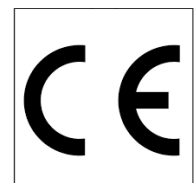
**FACTORY SPAIN**

Dennis Nakakita operate around the world in different markets as Oil & Gas, Marine & Shipbuilding, Navy, Energy & Water.

DENNIS NAKAKITA is accredited for ISO 9001:2008 by Det Norske Veritas and has also been awarded Worldwide Chamber Trust Seal certificate.



Our equipment has also the Type Approval Certificate from American Bureau of Shipping, Bureau Veritas, Lloyd's Registers, Det Norske Veritas, and also the CE.



**[www.dennisnakakita.com](http://www.dennisnakakita.com)**

DENNIS NAKAKITA, S.A.

c/ Badajoz, 2 – Urb. “La Cabaña”

28223 Pozuelo de Alarcón

Madrid – Spain

Tel. +34 91 352 64 65

Fax. +34 91 352 42 34

Contact

E-mail: [dennis@dennisnakakita.com](mailto:dennis@dennisnakakita.com)

---