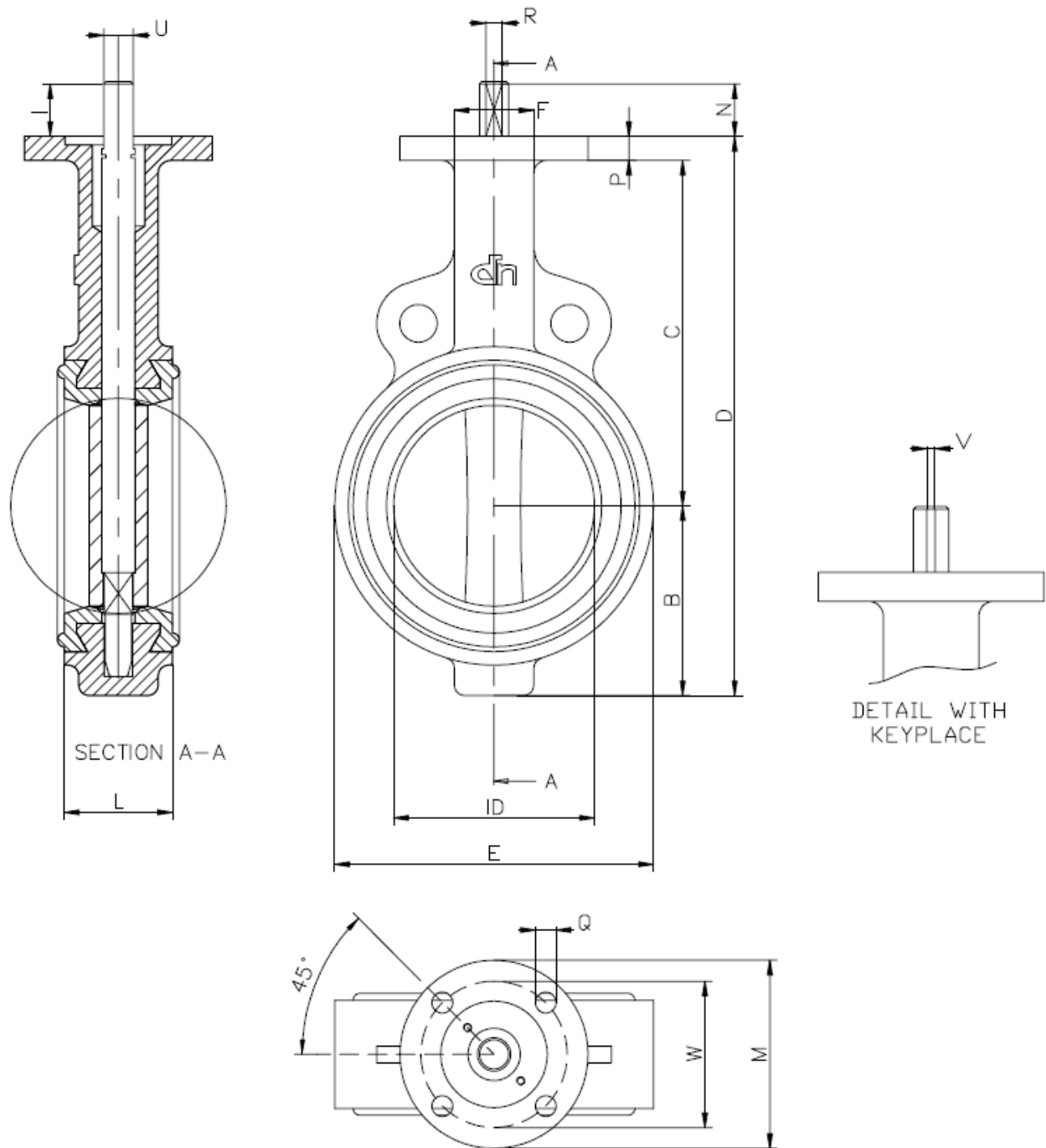


## **CONCENTRIC DESIGN**

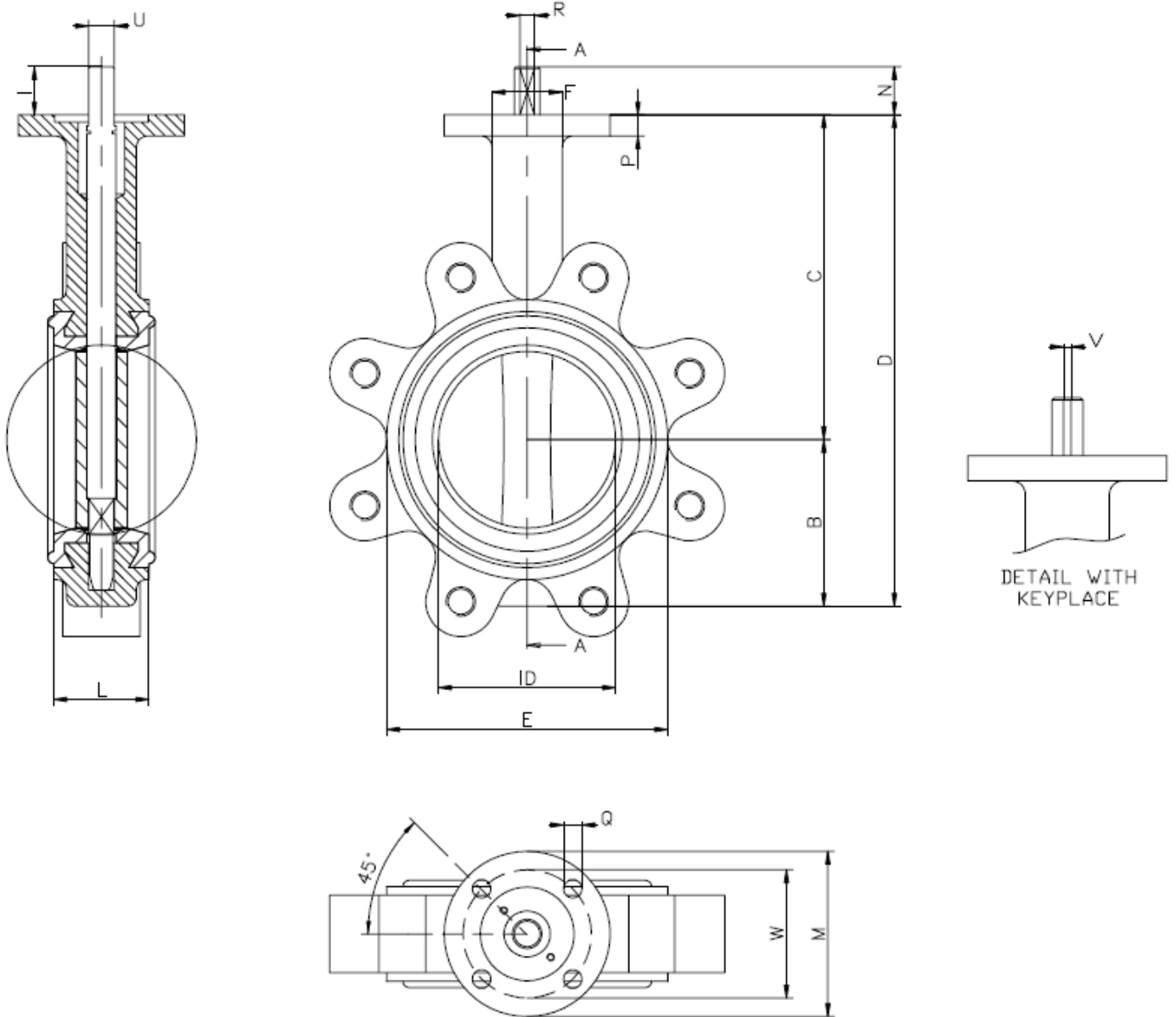
BUTTERFLY VALVE L-80 L-90 L-100

---

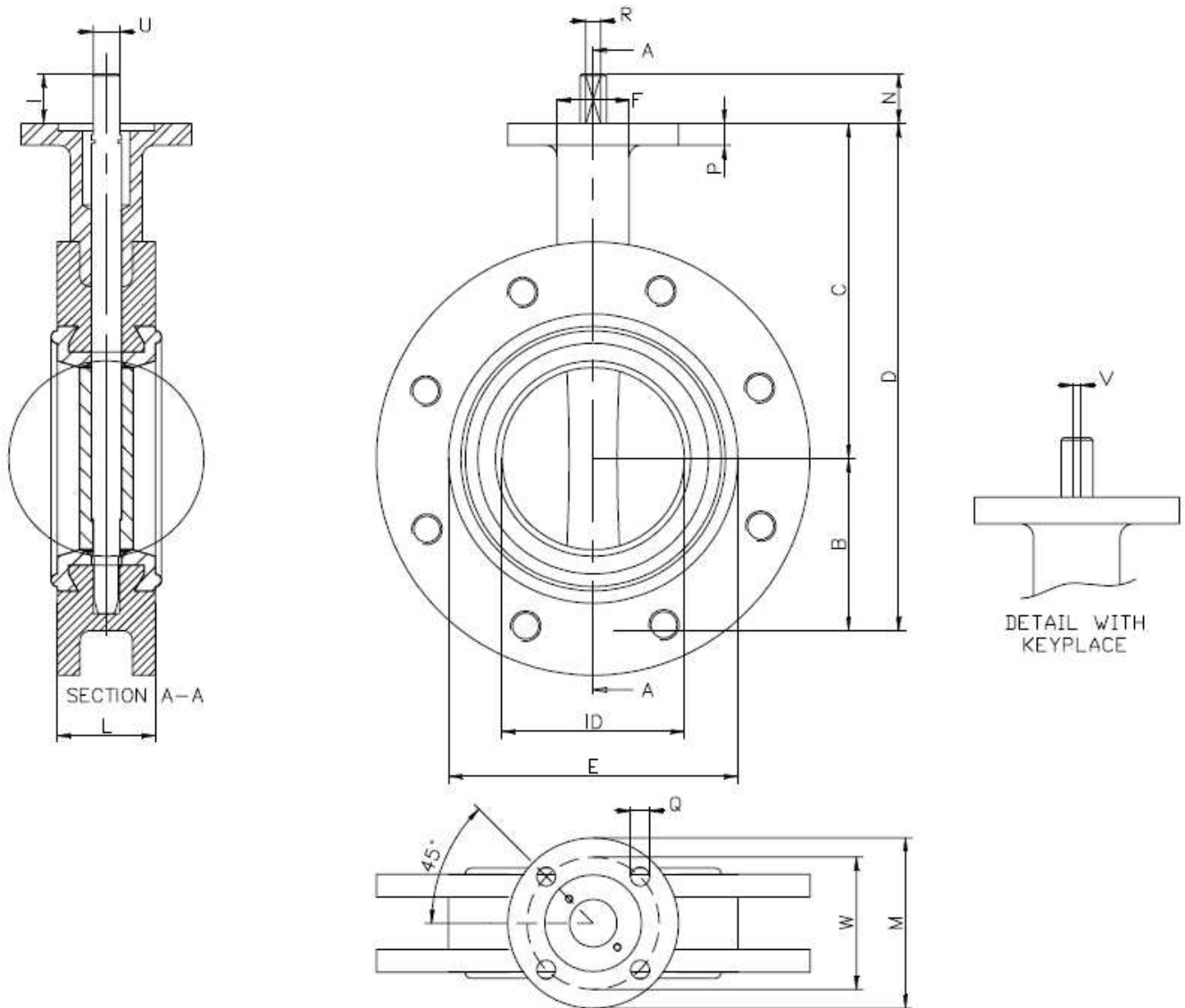
## Drawing L-80 Valves



## Drawing L-90 Valves



## Drawing L-100 Valves



**ADD :** C/Badajoz, 2 – Urb."La Cabaña". 28223, Pozuelo de Alarcón. Madrid – Spain.

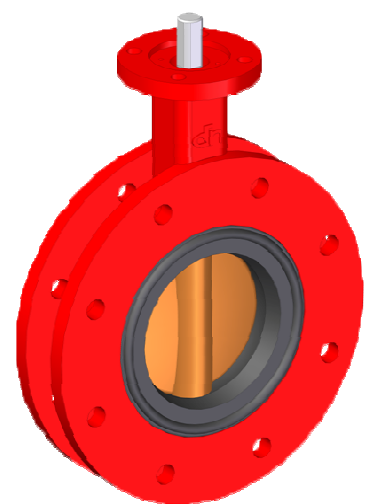
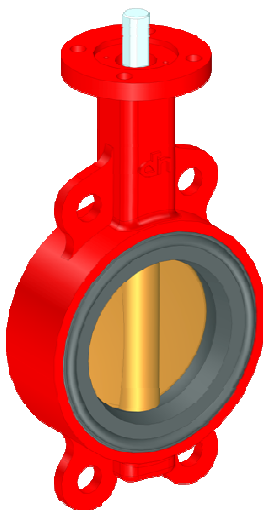
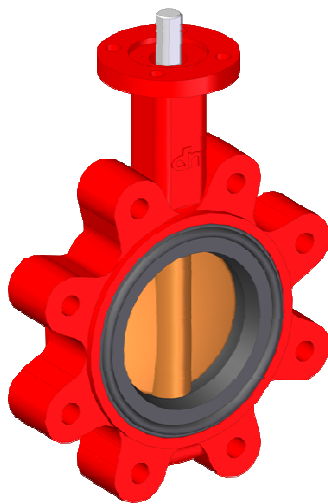
**Tel :** +34 91 352 64 65 **Fax:** +34 91 352 42 34

**E-mail :** dennis@dennisnakakita.com

**Web :** www.dennisnakakita.com

Measures applicable to models L-80, L-90 & L-100:

Ø Inch	Mm	ID	L	B	C	D	E	P	Shaft						TOP FLANGED ISO 5211					
									N	I	U	R	V	Key	TYPE	ØM	ØΩ	N	Q	F
1½"	40	40	40	59	120	179	85	10	33	30	14	9,5	--	--	F07	90	70	4	9	55
2"	50	50	43	64	130	194	92	11	33	30	14	9,5	--	--	F07	90	70	4	9	55
2½"	65	63	46	72	137	209	107	11	33	30	14	9,5	--	--	F07	90	70	4	9	55
3"	80	77	46	85	156	241	122	11	33	30	16	11,8	--	--	F07	90	70	4	9	55
4"	100	100	52	95	170	265	150	11	33	30	16	11,8	--	--	F07	90	70	4	9	55
5"	125	125	56	110	185	295	179	12	33	30	19	14,5	--	--	F07	90	70	4	9	55
6"	150	147	56	123	203	326	206	12	33	30	19	14,5	--	--	F07	90	70	4	9	55
8"	200	198	60	168	238	406	257	13	33	30	19	14,5	--	--	F07	90	70	4	9	55
10"	250	244	68	203	270	473	316	15	65	60	22	--	8	8x7	F10	125	102	4	12	72
12"	300	298	78	242	310	552	370	15	65	60	28	--	8	8x7	F10	125	102	4	12	72
14"	350	337	78	290	330	620	410	15	65	60	28	--	8	8x7	F10	125	102	4	12	72
16"	400	387	102	330	375	705	468	20	75	70	38	--	12	12x8	F14	175	140	4	18	80
18"	450	438	114	360	400	760	527	20	75	70	38	--	12	12x8	F14	175	140	4	18	80
20"	500	487	127	400	440	840	578	20	100	95	45	--	14	14x9	F16	210	165	4	22	90
22"	550	530	154	425	475	900	636	22	100	95	55	--	14	14x9	F16	210	165	4	22	105
24"	600	575	154	460	510	970	680	22	100	95	55	--	14	14x9	F16	210	165	4	22	105



**The Valves are operated Manually, Hydraulically, Pneumatically, Motorized.**

## Specifications

Pressure Rating	ANSI / ASME Class 125 / 150 ISO PN6 / PN10 / PN16 JIS 10K / 16K
Standard Size Range	DN40 to DN1200 (other dimensions upon request)
Standard Materials	
Body	Cast Iron ASTM A48, BS1452-220 / DIN 1691 GG20 Ductile Iron ASTM A536 / BS 2789 / DIN 1693 GGG40 Cast Steel ASTM A216 WCB / BS 1504-161 Gr.A.B AlBz ASTM B-148-9D / BS1400 AB2. Aluminum ASTM B275 Stainless Steel ASTM A351 CF8 / CF8M
Disc	Ni Cast Iron ASTM A536 / BS2789 / DIN693 GGG40 Ductile Iron + Nylon ASTM A536 / BS2789 / DIN 1693 GGG40 Stainless Steel ASTM A351 CF8 / CF8M AlBz ASTM B-148-D A890 Gr5A DIN 1.4469, halar coated or similar
Shaft	Stainless Steel AISI 304 / AISI 410 / AISI 316 Monel ASTM B164

### **Other materials possible upon request**

Dennis Nakakita has a global network with offices in Europe, USA and Asia.



**HEAD OFFICE MADRID**



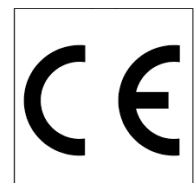
**FACTORY SPAIN**

Dennis Nakakita operate around the world in different markets as Oil & Gas, Marine & Shipbuilding, Navy, Energy & Water.

DENNIS NAKAKITA is accredited for ISO 9001:2008 by Det Norske Veritas and has also been awarded Worldwide Chamber Trust Seal certificate.



Our equipment has also the Type Approval Certificate from American Bureau of Shipping, Bureau Veritas, Lloyd's Registers, Det Norske Veritas, and also the CE.



**[www.dennisnakakita.com](http://www.dennisnakakita.com)**

DENNIS NAKAKITA, S.A.

c/ Badajoz, 2 – Urb. “La Cabaña”

28223 Pozuelo de Alarcón

Madrid – Spain

Tel. +34 91 352 64 65

Fax. +34 91 352 42 34

Contact

E-mail: [dennis@dennisnakakita.com](mailto:dennis@dennisnakakita.com)

---