

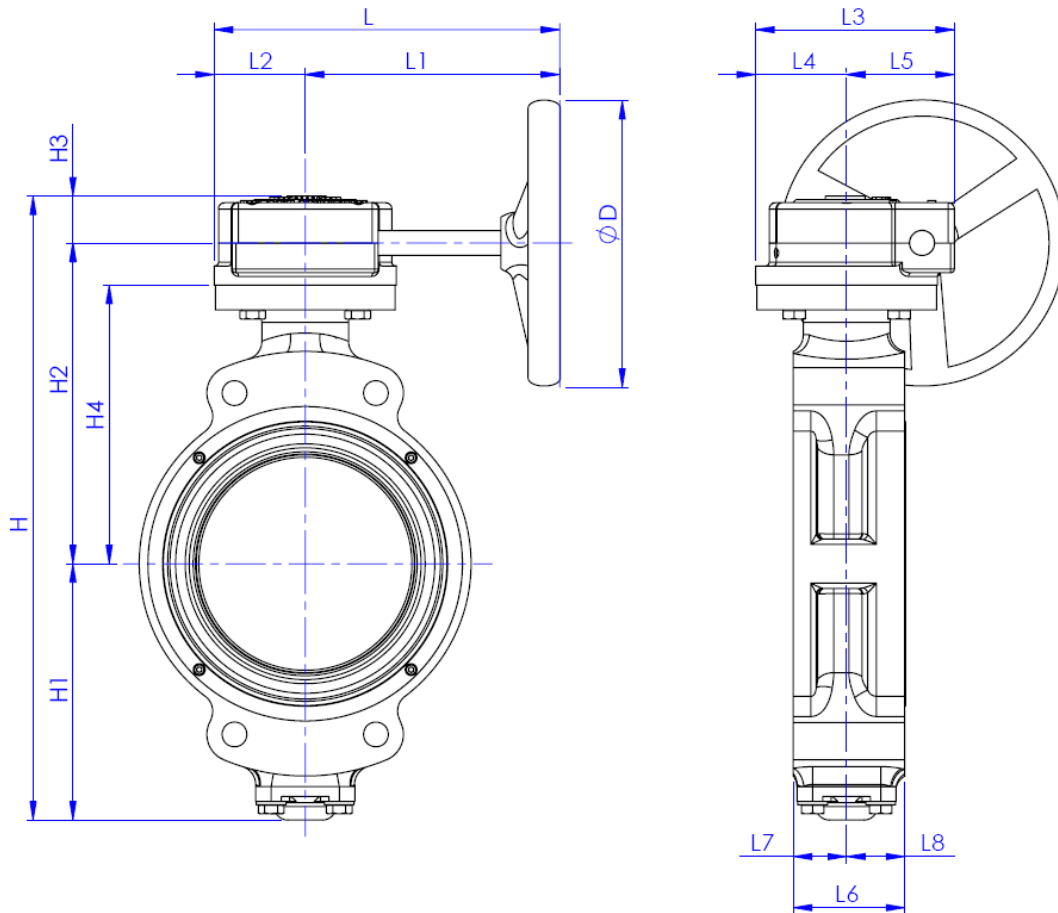


# **AC**

## MANUAL BUTTERFLY VALVE

---

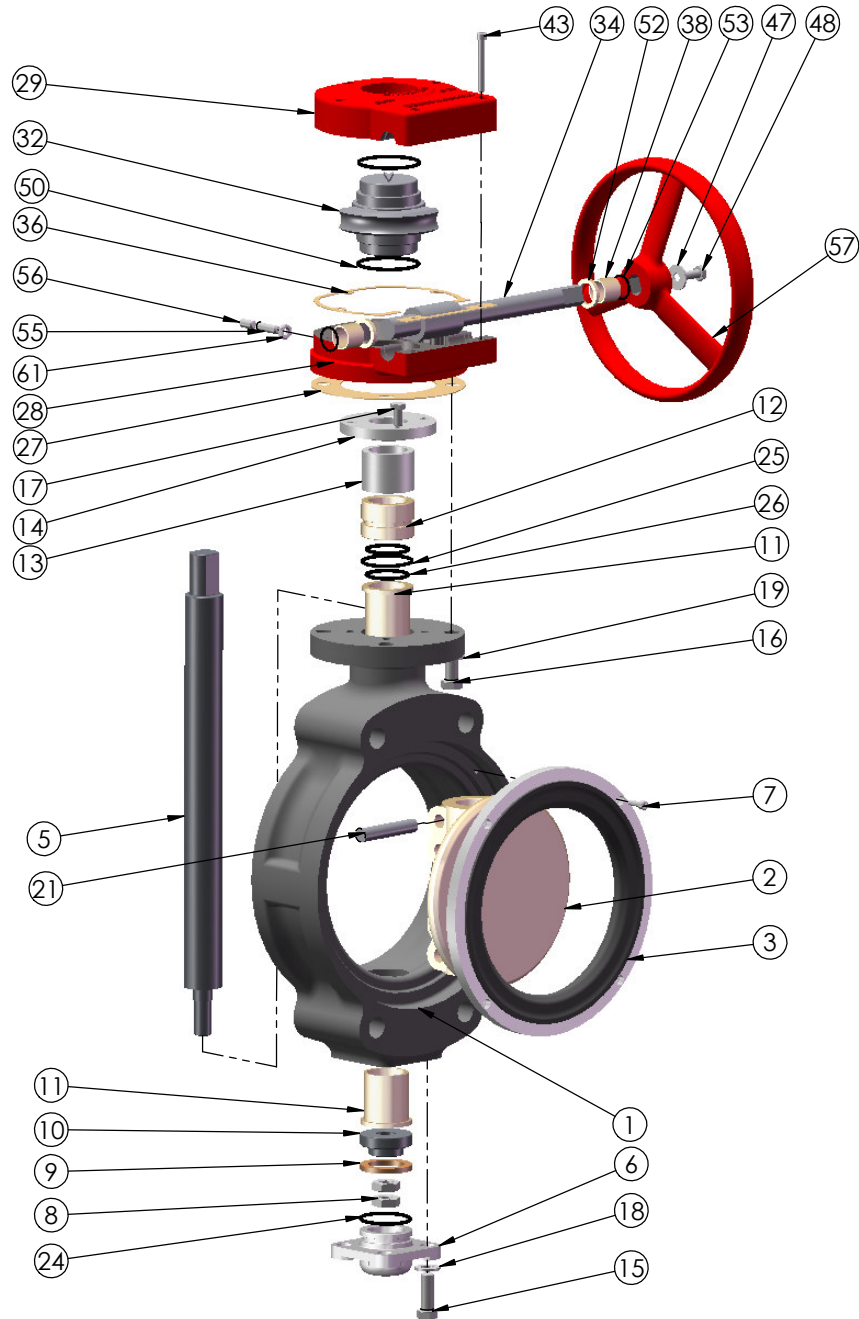
## Drawing of AC



Size	Acc	ISO 5211	H	H1	H2	H3	H4	L	L1	L2	L3	L4	L5	L6	L7	L8	D	Nº Turns
Inch.-mm.																		
1,5" - 40	AC-40	F-07	221	53	140	28	105	154	47	107	185	135	50	33	16	17	140	7,5
2" - 50	AC-40	F-07	251	62	161	28	123	154	47	107	185	135	50	43	23	20	140	7,5
2,5" - 65	AC-40	F-07	268	75	165	28	130	154	47	107	185	135	50	46	23	23	140	7,5
3" - 80	AC-40	F-07	283	90	165	28	130	154	47	107	185	135	50	50	25	25	140	7,5
4" - 100	AC-40	F-07	325	108	189	28	154	154	47	107	185	135	50	50	25	25	140	7,5
5" - 125	AC-40	F-07	342	120	194	28	159	154	47	107	185	135	50	60	30	30	140	7,5
6" - 150	AC-50	F-12	428	163	231	34	190	313	66	247	269	180	89	70	36	34	230	9,5
8" - 200	AC-50	F-12	507	207	266	34	225	313	66	247	269	180	89	90	43	47	230	9,5
10" - 250	AC-50	F-12	587	247	306	34	265	313	66	247	269	180	89	110	51	59	230	9,5

Signes in mm. (Informative only)

Same distance between faces for wafer, semi-lug, lug and double flange type valves



Nº	NAME	Nº	NAME
1	BODY	25	O-RING
2	DISC	26	O-RING
3	SEAT	27	GASKET
5	SHAFT	28	LOWER HOUSING
6	COVER	29	UPPER HOUSING
7	SET SCREW	32	CROWN
8	NUT	34	WORM
9	THRUST PLATE	36	GASKET
10	SHAFT SPACER	38	BUSHING
11	SHAFT BEARING	43	BOLT
12	PACKING HOLDER	47	WASHER
13	DISTANCE PIPE	48	NUT
14	COVER FLANGE	50	O-RING
15	BOLT	52	STOP WASHER
16	BOLT	53	O-RING
17	BOLT	55	HEX BOLT
18	SPRING WASHER	56	HEX BOLT
19	SPRING WASHER	57	HANDWHEEL
21	TAPER PIN	61	NUT
24	O-RING		

## Specifications

Pressure Rating	ANSI / ASME Class 150 / 300 ISO PN6 / PN10 / PN16 / PN25 JIS 5K / 10K / 16K / 20K
Standard Size Range	DN40 to DN250 (other dimensions upon request)
Standard Materials	
Body	Nodular Cast Iron GGG-40 / ASTM A536 Carbon Steel ASTM A216 WCB Stainless Steel AISI 316 / AISI 316L / AISI 420 K-Monel / Superduplex / Duplex AlBz ASTM -B148-9D
Disc	Carbon Steel ASTM A216 WCB Stainless Steel AISI 304 / AISI 316 / AISI 316L / AISI 420 AlBz ASTM B-148-9D K-Monel / Superduplex / Duplex
Shaft	Stainless Steel AISI 304 / AISI 316 / AISI 316L / AISI 420 Duplex / Superduplex / Monel K500

### **Other materials possible upon request**

Dennis Nakakita has a global network with offices in Europe, USA and Asia.



**HEAD OFFICE MADRID**



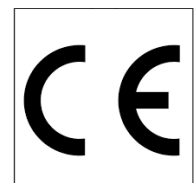
**FACTORY SPAIN**

Dennis Nakakita operate around the world in different markets as Oil & Gas, Marine & Shipbuilding, Navy, Energy & Water.

DENNIS NAKAKITA is accredited for ISO 9001:2008 by Det Norske Veritas and has also been awarded Worldwide Chamber Trust Seal certificate.



Our equipment has also the Type Approval Certificate from American Bureau of Shipping, Bureau Veritas, Lloyd's Registers, Det Norske Veritas, and also the CE.



**[www.dennisnakakita.com](http://www.dennisnakakita.com)**

DENNIS NAKAKITA, S.A.

c/ Badajoz, 2 – Urb. “La Cabaña”

28223 Pozuelo de Alarcón

Madrid – Spain

Tel. +34 91 352 64 65

Fax. +34 91 352 42 34

Contact

E-mail: [dennis@dennisnakakita.com](mailto:dennis@dennisnakakita.com)

---